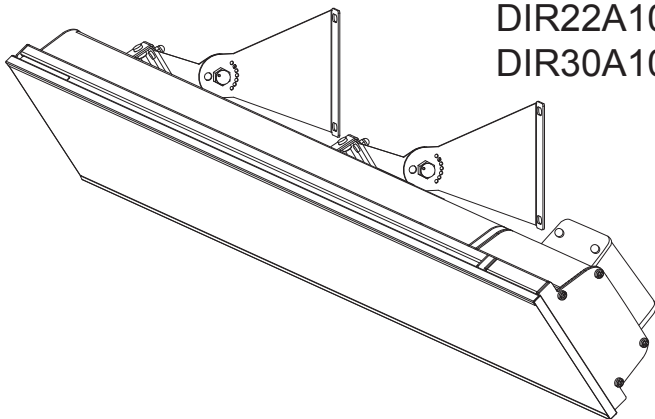




DIR Series Indoor/Outdoor Infrared Heaters

Model
DIR15A10GR
DIR18A10GR
DIR22A10GR
DIR30A10GR











IMPORTANT SAFETY INFORMATION: Always read this manual first before attempting to install or use this heater. For your safety, always comply with all warnings and safety instructions contained in this manual to prevent personal injury or property damage.

To view the full line of Dimplex products, please visit
www.dimplex.com

721559000R04



Table of Contents

	Welcome & Congratulations	3
	IMPORTANT INSTRUCTIONS	4
	Heater Installation	6
	Site Selection	9
	Installation	11
	Electrical Installation	13
	Operating Instructions	16
	Maintenance Instructions	19
	Troubleshooting	20
	Warranty	21
	Technical Support	23

This manual covers installation and maintenance. Read carefully before attempting to install, operate, or service the Infrared heater.

! NOTE: Procedures and techniques that are considered important enough to emphasize.

⚠ CAUTION: Procedures and techniques which, if not carefully followed, will result in damage to the equipment.

⚠ WARNING: Procedures and techniques which, if not carefully followed, will expose the user to the risk of fire, serious injury, or death.

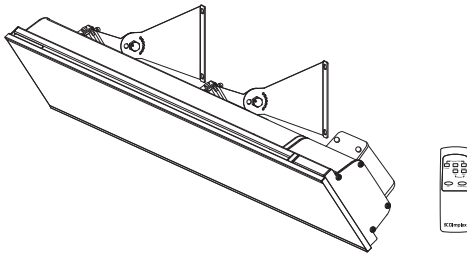
Welcome & Congratulations

Thank you and congratulations for choosing to purchase a Dimplex DIR Heater.

Please carefully read and save these instructions.


⚠ CAUTION: Read all instructions and warnings carefully before starting installation. Failure to follow these instructions may result in a possible electric shock, fire hazard and will void the warranty.

Please record your model and serial numbers for future reference. Model and serial numbers can be found on the Model and Serial Number Label of your heater.



NO NEED TO RETURN TO THE STORE

Questions with operation or assembly? Require Parts Information?
Product Under Manufacturer's Warranty?

Contact us at:  www.dimplex.com/customer_support
For Troubleshooting and Technical Support

OR  **Toll-Free 1-888-346-7539**

Please have your model number and product serial number ready. (See above)

IMPORTANT INSTRUCTIONS


When using electrical appliances, basic precautions should always be followed to reduce the risk of fire, electric shock, and injury to persons, including the following:

- ① Read all instructions before installing or using this heater.
- ② Use this heater only as described in this manual. Any other use not recommended by the manufacturer may cause fire, electric shock, or injury to persons.
- ③ This heater is hot when in use. To avoid burns, do not let bare skin touch hot surfaces. Keep combustible materials, such as furniture, pillows, bedding, papers, clothes, and curtains at least 0.9 m (3.0 ft) from the front of the heater and keep them away from sides and rear restrictions.
- ④ Extreme caution is necessary when any heater is used by or near children or invalids and whenever the heater is left operating and unattended.
- ⑤ Do not operate any heater after it malfunctions. Disconnect power at service panel and have heater inspected by a reputable electrician before reusing.
- ⑥ Do not operate any heater with a damaged cord or after it malfunctions, has been dropped or damaged in any manner. Return heater to authorized service facility for examination or mechanical adjustment or repair.
- ⑦ To disconnect heater, turn off power to heater circuit at main disconnect switch, and turn off power to heater circuit at main disconnect panel.
- ⑧ Do not insert or allow foreign objects to enter any ventilation or exhaust opening as this may cause an electric shock or fire, or damage the heater.
- ⑨ To prevent a possible fire, do not block air intakes or exhaust in any manner.
- ⑩ A heater has hot and arcing or sparking parts inside. Do not use it in areas where gasoline, paint, or flammable liquids are used or stored.
- ⑪ Do not touch the heater during operation as the body becomes hot and could causes burns. Particular attention has to be given where children and vulnerable people are present.
- ⑫ This appliance is not intended for use by persons (including children) with reduced physical,

IMPORTANT INSTRUCTIONS

sensory or mental capabilities, or lack of experience and knowledge, unless they have been given supervision or instruction concerning use of the appliance by a person responsible for their safety.

- ⑬ Do not allow any cables, furnishing, flammable materials, or other items come in contact with any surface of the heater.
- ⑭ The heater must not be located immediately below a socket-outlet. The heater must not be located in front of a socket-outlet. They should be located outside the physical footprint of the units to minimize heat build-up behind the heater.
- ⑮ **SAVE THESE INSTRUCTIONS.**

 **WARNING:** The heater must not be used if the glass panels are damaged.

! **NOTE:** Changes or modifications not expressly approved by the party responsible for compliance could void user's authority to operate the equipment.



CAUTION
RISK OF ELECTRIC SHOCK
DO NOT OPEN
NO USER-SERVICEABLE PARTS INSIDE



SAVE THESE INSTRUCTIONS FOR FUTURE REFERENCE

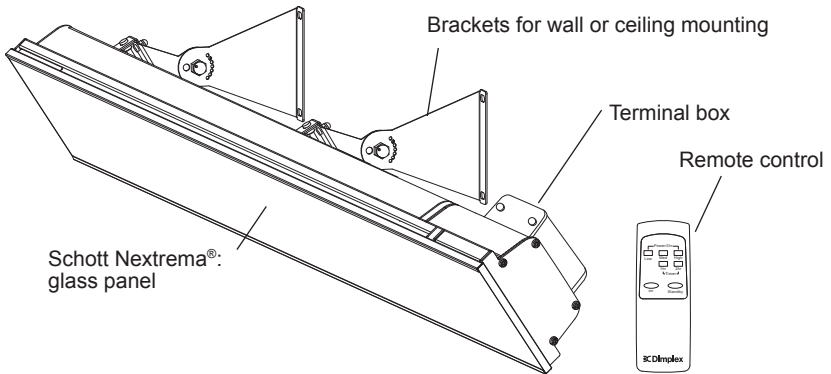
Heater Installation

HOW TO OPERATE THE HEATER:

What's included with your Dimplex DIR Series Heater

- IR Heater
- Operating and Installation Instructions
- One small box containing 2 sets of brackets and mounting hardware
- One remote controller

Figure 1



Technical Specification

MODEL NAME	DIR15A10GR	DIR18A10GR	DIR22A10GR	DIR30A10GR
Voltage	120V 60Hz	240V 60Hz	240V 60Hz	240V 60Hz
Rated power (Watts)	1500	1800	2200	3000
Installation Mounting height	Wall-mounted Ceiling-mounted	Wall-mounted Ceiling-mounted	Wall-mounted	Wall-mounted
Minimum	2.4 M (8 ft.)	2.4 M (8 ft.)	2.4 M (8 ft.)	2.4 M (8 ft.)
Electric protection class	I	I	I	I
Outdoor Rated	Yes	Yes	Yes	Yes
Unit dimensions LxWxH (mm / in) (without bracket)	902 x 170 x 128 35-1/2 x 6-3/4 x 5	902 x 170 x 128 35-1/2 x 6-3/4 x 5	902 x 170 x 128 35-1/2 x 6-3/4 x 5	1286 x 170 x 128 50-5/8 x 6-3/4 x 5

Heater Installation

RISK OF FIRE/ EXPLOSION

This heater should not be used in potentially explosive atmospheres. Do not use in areas where gasoline, paint or flammable liquids are used or stored.

Installation minimum clearances specified on the heater nameplate and in the owner's manual must be followed.

Before installation, read this manual carefully and keep for future reference.

The heater must be installed in accordance with the manufacturer's installation instructions.

1. This equipment shall be installed only by qualified personnel who are familiar with the construction and operation of the apparatus and hazard involved.

⚠ WARNING: The heater is fitted with an electrical connection box and should be connected as a fixed installation by a licensed electrical professional. Wiring procedures and connections should be in accordance with the National Electric Code (NEC) and local codes.

2. Within USA, electrical installation shall be made in accordance with the National Electrical Code.
3. Within Canada, electrical installation shall be made according to the provisions of section 62 of the Canadian electrical code part 1.
4. Wiring procedures and connections shall be in accordance with the national and local codes having jurisdiction.

⚠ CAUTION: Disconnect electric power supply before working on circuit wiring to prevent electric shock.

⚠ CAUTION: When installing outdoors we recommend the heater is positioned where it will be protected from exposure to extreme weather such as snow and ice.

⚠ CAUTION: This heater must be grounded.

⚠ CAUTION: Electrical connection must have ground fault protection (GFCI or GFI).

⚠ CAUTION: A circuit breaker is required for proper installation, do not load beyond 80% capacity.

⚠ CAUTION: High temperature, risk of fire, keep electrical cords, drapery, furnishings, and other



Heater Installation

combustibles at least 0.9 m (3 ft) from the front of the heater and away from the side and rear.

5. The heater is designed for outdoor and indoor use and should not be used for any other purpose. Any other use not recommended by the manufacturer may cause fire, electric shock, or injury to persons.
6. Before commencing installation make sure the electrical supply voltage is the same as that shown on the rating plate of the heater.
7. The heater must be mounted at least 2.4 m (8 ft) above ground level. For other clearance please refer to the diagram included in these instructions.
8. To reduce the risk of fire, do not store or use gasoline or other flammable vapors and liquids in the vicinity of the heater
9. The heater is not intended for use in bathrooms, laundry areas or similar indoor areas. Never locate heater where it may fall into a bathtub, pool, spa, or other water container.
10. Do not install the heater directly near a bathtub, shower or swimming pool. Any switches

or controls must not be within reach of a person in the bathtub, shower or swimming pool.

11. Ensure that the heater had been securely fastened in its final mounting position.
12. The heater can be only installed horizontally.
13. DO NOT install the heater vertically. Failure to do this may cause the heating element within the tube to sag and cause premature burnout.
14. There are no user-serviceable parts inside the heater. Any servicing other than regular cleaning of the heater should be performed by an authorized service professional.

⚠ WARNING: The heater must not be used if the glass panels are damaged.

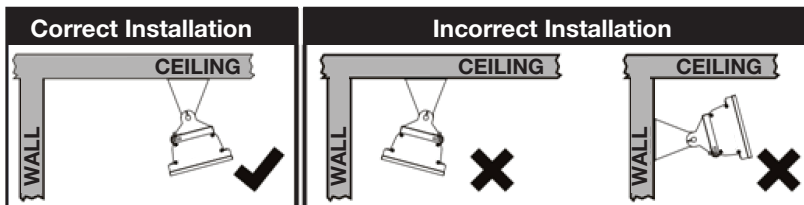
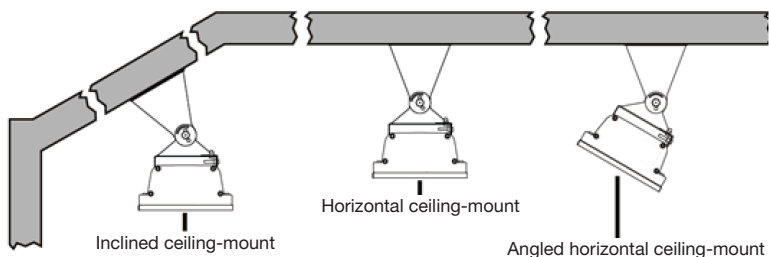
! NOTE: This heater comes with a pair of stainless steel adjustable angle mounting brackets. The adjustable angle enables the heater to be installed on horizontal and inclined surfaces.

🔑 Site Selection

SITE SELECTION:

Ceiling mounted (DIR15A10GR, DIR18A10GR).

⚠️ WARNING: DIR22A10GR and DIR30A10GR CANNOT be ceiling-mounted.



⚠️ WARNING: The heater must never be installed in the upwards or inwards facing position, the heating surface must always be positioned to direct the heat in a downwards or outwards direction.

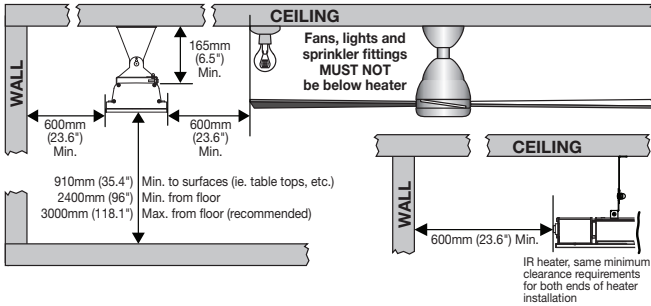
⚠️ WARNING: DO NOT install the heater vertically. Failure to follow these instructions can cause the heating element within the tube to sag and cause premature burnout.

Clearances

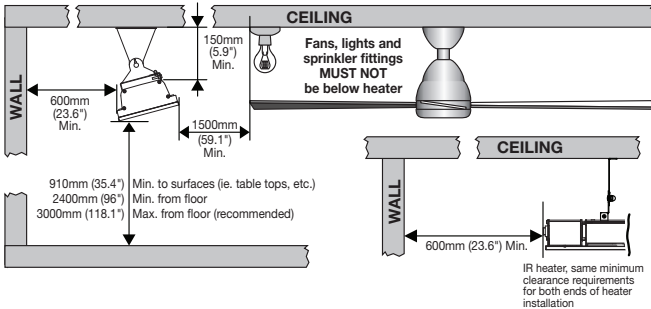
To ensure that all minimum clearances are achieved please refer to the diagrams on page 10.

Site Selection

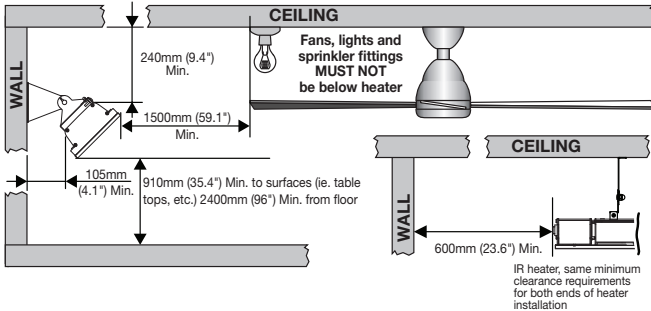
Minimum clearances when mounting the heater parallel with a ceiling.



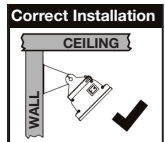
Minimum clearances when mounting the heater at an angle to the ceiling.



Minimum clearances when mounting the heater on A VERTICAL WALL.



Wall-mounted installation
(DIR15A10GR,
DIR18A10GR,
DIR22A10GR,
DIR30A10GR)

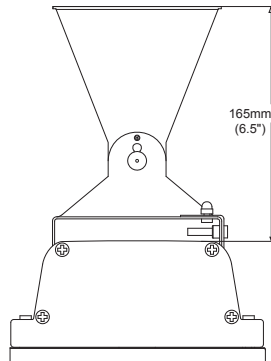
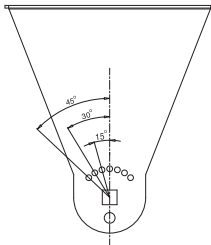
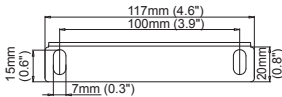




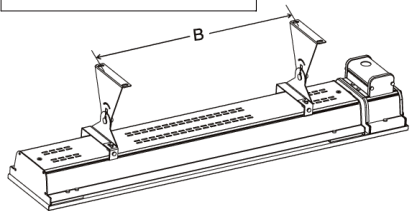
Installation

⚠ WARNING: Mounting of the infrared heater and its connection to the electric mains should be carried out only by qualified professionals according to the Electrical Installation Regulations and Power System Safety Standards and comply with all national and local electrical codes.

1. Open the package and carefully remove the heater.
2. Remove the packing paper sheet from the end of heater.
3. Take out one pair of mounting brackets. These adjustable brackets allow direct ceiling or wall mount, and come with preset angle options of parallel, 30°, 45° and height 165 mm (6.5 in).



4. Use the above diagrams as a guideline for proper installation. Select the heater location on the ceiling or wall by locating the stud or structural beams to ensure secure fastening of the heater. Ensure that all minimum clearances are achieved.



5. Install two brackets on the ceiling or wall with the following minimum recommended bracket distance "B". Ensure brackets are level and not slanted diagonally.

Model Number	"B" MINIMUM DISTANCE
DIR15A10GR	500 mm \pm 50 mm (19.7" \pm 2.0")
DIR18A10GR	500 mm \pm 50 mm (19.7" \pm 2.0")
DIR22A10GR	500 mm \pm 50 mm (19.7" \pm 2.0")
DIR30A10GR	650 mm \pm 50 mm (25.6" \pm 2.0")



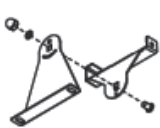
Installation









6. Set the adjustable angle mounting brackets to the desired angle and fasten brackets with an adjustable wrench.

For ceiling-mounted installation, the available mounting angles are restricted to 0° and 30° only.

For wall-mounted installation, the available mounting angles are restricted to 30° and 45° only.

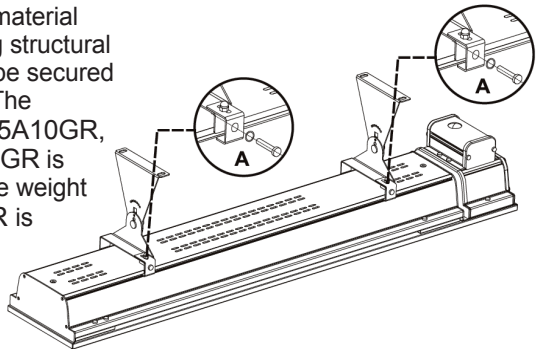
For the DIR 2200W / 3000W, ceiling mounted installation is prohibited.



	0°	15°	30°	45°
CEILING				
WALL				

7. Hang the heater on the brackets and firmly tighten bolts on the bracket to compress the two plates together as shown in Figure A.

! NOTE: Depending on material and design of wall or ceiling structural elements, the heater must be secured with the correct fasteners. The weight of the heaters DIR15A10GR, DIR18A10GR, DIR22A10GR is up to 5.3 KG (11.7 lbs.). The weight of the heater DIR30A10GR is 6.8 KG (15.0 lbs.). The installation structure and hardware must be able to hold 5 times the weight of the heater.





Electrical Installation

⚠ WARNING: This Heater **MUST** be permanently installed and hard wired by an authorized / licensed electrical professional. Do not perform maintenance or carry out installation or assembly procedure while electrical power is switched on.

⚠ CAUTION: A circuit breaker is required for proper installation. Do not load beyond 80% capacity. The type of circuit breaker must be C curve type.

1. DIR15A10GR (1500W) is designed for connection to the 120V~ 60Hz electric mains equipped with a grounding wire.
2. DIR18A10GR (1800W), DIR22A10GR (2200W) and DIR30A10GR (3000W) heaters are designed for connection to the 240V~ 60Hz electric mains equipped with a grounding wire.
3. The heater must not be located immediately below an electrical connection. Power point should not be located at the back of the heater. The power point needs to be located outside the physical footprint of the heater to minimize heat build-up behind the heater.
4. If the heater is to be mounted on an incline (e.g. Vaulted ceiling), ensure the electrical connection point is below the heater.

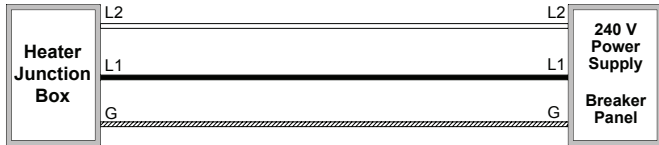


Wiring Instructions

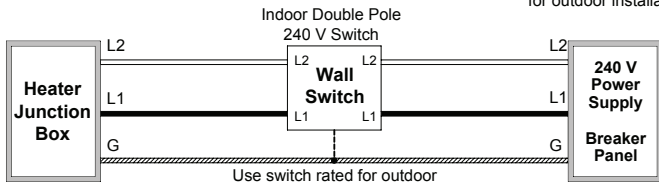
WIRING INSTRUCTIONS:

DIR15A10GR is to be wired to a 120V circuit while DIR18A10GR, DIR22A10GR and DIR30A10GR are to be wired to a 240V circuit. These heaters must be wired to the this circuit in such a way that the heater can be turned off directly at the circuit breaker in the event of an emergency. Sample wiring diagrams have been included below for quick reference.

240 V 15A

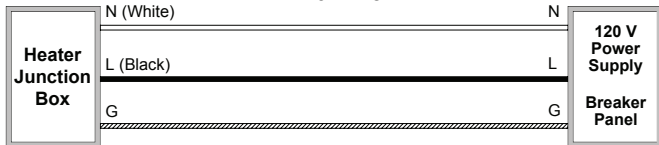


Use GFCI breaker
for outdoor installations

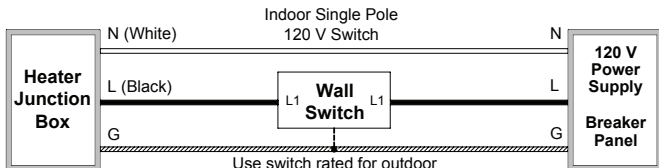


Use switch rated for outdoor
applications, if applicable

120 V 15A



Use GFCI breaker
for outdoor installations



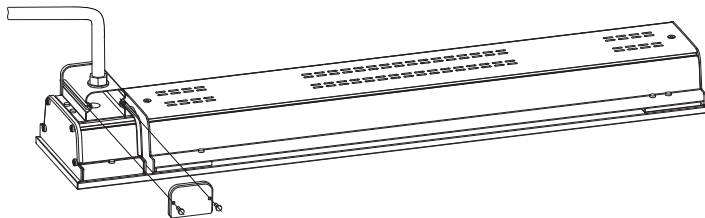
Use switch rated for outdoor
applications, if applicable

Use GFCI breaker
for outdoor installations



Electrical Installation

1. Check product label for correct voltage and wattage. Make sure power source conforms to the heaters requirements.
2. The junction box on the top of the heater has a gasket side access cover. The junction box inlet is drilled and threaded for a standard 19 mm (1/2") weather tight conduit fittings. The installing electrician will need to provide the appropriate rigid metallic, flexible or liquid tight conduit, conduit fittings for installation location.
3. For outdoor installation all connections must be made in accordance with local electrical code regulations for outdoor wiring. Only use wiring components approved for outdoor use with minimum NEMA Type 4x or equivalent.
4. Remove the screws holding the junction box cover. Make the electrical connections using wire nuts (not supplied).
For 120 V units: The green wire connects to the ground wire from the power source. The black wire connects to the live wire from the power source. The white wire connects to the neutral wire from the power source.
For 240 V units: The green wire connects to the ground wire from the power source. The black wire connects to L1 (live) from the power source. The white wire connects to L2 (live) from the power source.
5. Assemble the junction box cover & gasket. Ensure that the junction box cover gasket (supplied with unit) is installed to maintain rain water ingress protection rating of the heater. Failure to install correctly will void the manufacturer's warranty.



Operating Instructions

⚠ WARNING: The heater must be properly installed before it is used. Slight crackles may be heard during the heating or cooling period. This is a normal part of the operation of the heater.

RISK OF FIRE/EXPLOSION

- This heater should not be used in potentially explosive atmospheres or environments. Do not use in areas where gasoline, paint or flammable liquids are used or stored.
- Keep electrical cords, drapery, furnishings, insulation and other combustibles at least 0.9 m (3 ft) from the front of the heater and away from the top, rear, and sides of the unit.
- To prevent possible fires, do not block or allow foreign objects to enter air intakes.

ELECTRICAL SHOCK HAZARD

- Do not operate heating unit after a malfunction. Disconnect power at the service panel and have the heater inspected by a qualified electrician before reusing.
- Use this heater only as described in this manual. Any other use is not recommended by the manufacturer and may result in fire, electric shock, or injury.
- Do not insert or allow foreign objects to enter any ventilation or exhaust opening as this may cause an electric shock or fire, or damage the heater.

RISK OF INJURY/BURN

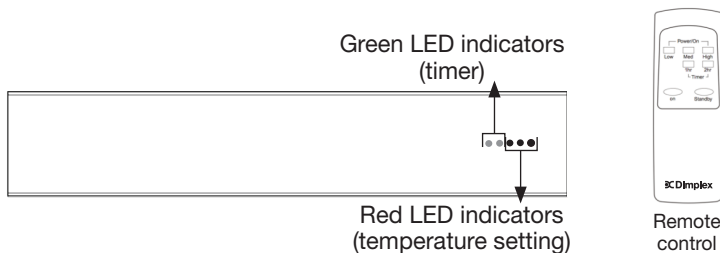
- The heating unit and discharge area will be hot when in use. To avoid burns, do not let bare skin touch the heating unit or glass surface on heating unit.
- Do not attempt to service or clean heater while unit is operating, as there is a hazard from electric shock and burn potential from hot surfaces. To avoid the risk of burn or injury wait a minimum of 6 hours for the heater to cool before attempting to clean or service.

! NOTE: After switching on the heater for the first time following extended periods on non-use, the appliance may produce a slight odor for a short time. This is normal and will not affect the use of the heater.

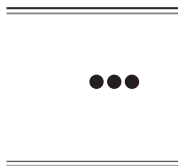
Operating Instructions

! NOTE: To prevent unpleasant burnt odor, it is recommended to keep the heater clean preventing accumulation of dust build up

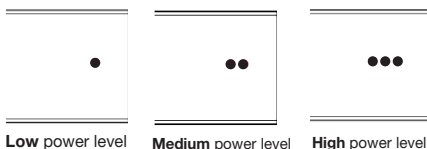
! NOTE: It is recommended that the distance between the heater and the remote be less than 3 m (9.8 ft.), and the remote control must be pointed directly to the receiver on the front panel during the operation.



1. Switch on the circuit breaker, the heater will begin in Standby mode. At this time the lowest heat temperature setting LED will be flashing to indicate the unit is in Standby.



2. Point the remote control directly to the receiver, press '**LOW**', '**MED**', '**HIGH**' to set your desired temperature setting.



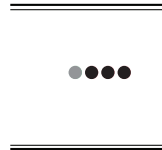
! CAUTION: There is a built in safety feature that will automatically trigger the heater to go into standby mode after eight hours of continuous operation. At this time the lowest heat temperature setting LED will be flashing to indicate the safety feature has executed.

3. To set the heater to standby mode point the remote control directly at the receiver and press 'Standby'. At this time the lowest heat temperature setting LED will be flashing to indicate the unit is in Standby mode.

Operating Instructions

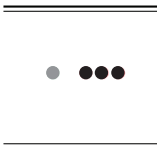
TIMER FUNCTION

Your Dimplex infrared heater comes with a programmable timer that will automatically place the heater in Standby mode after 1, 2 or 3 hours of operation. To operate the timer point the remote control directly to the receiver and press '1 hr', a single green LED light will illuminate directly beside the heating LED's, this will trigger the heater to automatically go into Standby mode after 1 hour of operation. Once in Standby mode a single red LED will be flashing.

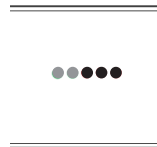


1 hour timer

1. To set the timer for 2 hours of operation point the remote control directly to the receiver and press '2 hr', a single green LED light will illuminate with a gap between the heat and timer LED's on the unit, this will trigger the heater to automatically go into Standby mode after 2 hours of operation.
2. To set the timer for 3 hours of operation point the remote control directly to the receiver and press '1 hr' and '2 hr', both green LED lights will illuminate, this will trigger the heater to automatically go into Standby mode after 3 hours of operation.



2 hour timer



3 hour timer


Maintenance Instructions

ELECTRIC SHOCK HAZARD

- Potentially lethal voltages are present. Be sure to turn off the unit at the circuit breaker before attempting any maintenance

RISK OF INJURY/BURN


- Do not attempt to service or clean heater while unit is operating, as there is a hazard from electric shock, and injury potential from hot heating elements.
- Maintenance and repair must be performed by qualified personnel only.

 **WARNING:** When replacing the ruby bulb or when cleaning the unit ensure that if hard wired the circuit is disconnected from the main power supply.


! NOTE: ALWAYS ENSURE THAT THE BULB HAS COOLED BEFORE HANDLING.

1. Do not handle the halogen bulb with bare hands. If it is inadvertently touched, remove finger marks with a soft cloth and methylated spirit or rubbing alcohol. Otherwise, the marks will burn into the quartz emitter during use causing premature heater failure.



 **WARNING:** All maintenance should only be carried out by a qualified electrician or installation professional.

2. It is necessary to periodically (once a year) check the electric cable contacts and terminal connectors for good tightening.
3. Before cleaning the unit, the power shall be turned off at the circuit breaker panel, and the heating unit must be cool to the touch to prevent bodily injury.
4. If the body becomes dirty, wipe off dust with a towel. The radiating boards should be wiped in cold condition with a damp soft rag. It is recommended to clean the unit every 3 months for peak performance.

 **WARNING:** Never immerse the heater in water! Doing so could cause damage, bodily injury or death.



Troubleshooting

Troubleshooting prior to calling a service technician:

SYMPTOM	RECOMMENDED ACTION
Will not heat / No operation indicator LED	Check that power is connected and switched on
Heater smells when first used	This is caused by oil or dust left over from the manufacturing process and will stop after a short time
Faint smell for short periods after turning on the heater	This is normal and should stop after a short time
Heater smells when turned on after periods of non-use	This is the result of build-up debris and dust in the heater, Switch the heater off and allow it to cool down and then clean before operating
Clinking noises when heater is turned on and after being turned off	This is expansion and contraction noises of the heaters metal components and is a normal function of the heater
Poor heating performance	Exposure to extreme ambient conditions such as high winds / excessively cold temperatures can lower the heating performance of an outdoor installation
	Unit is not installed in correct position, possibly too high or heater is too small for recommended area.

When to contact the authorized service technician or your dealer:

SYMPTOM	RECOMMENDED ACTION
There is a burning smell and or strange sounds (other than normal expansion and contraction noises) coming from the unit	Turn off the heater, and contact your dealer
When associated circuit breaker (safety, ground) trips or a fuse is blown	Turn off the heater, and contact your dealer or a certified electrical technician
Poor heating performance	Incorrectly sized installation, contact your dealer for more information
Poor heating performance	Faulty heater element, turn off the heater, and contact your dealer
Will not heat / No operation indicator	Check that power is connected and switched on, if still faulty turn off the heater, and contact your dealer or a certified electrical technician.

One Year Limited Warranty

Products to which this limited warranty applies

This limited warranty applies to your newly purchased Dimplex Infrared Indoor/Outdoor Heater. This limited warranty applies only to purchases made in any province of Canada except for Yukon Territory, Nunavut, or Northwest Territories or in any of the 50 States of the USA (and the District of Columbia) except for Hawaii and Alaska. This limited warranty applies to the original purchaser of the product only and is not transferable.

Products excluded from this limited warranty

IR Ruby Heating Elements are not covered by this limited warranty and are the sole responsibility of the owner/purchaser. Products purchased in Yukon Territory, Nunavut, Northwest Territories, Hawaii, or Alaska are not covered by this limited warranty. Products purchased in these States, provinces, or territories are sold AS IS without warranty or condition of any kind (including, without limitation, any implied warranties or conditions of merchantability or fitness for a particular purpose) and the entire risk of as to the quality and performance of the products is with the purchaser, and in the event of a defect the purchaser assumes the entire cost of all necessary servicing or repair.

What this limited warranty covers and for how long

Products covered by this limited warranty have been tested and inspected prior to shipment and, subject to the provisions of this warranty, Glen Dimplex Americas Ltd.

(Glen Dimplex Americas herein) warrants such products to be free from defects in material and workmanship for a period of 12 months from the date of the first purchase of such product.

The limited 12 month warranty period also applies to any implied warranties that may exist under applicable law. Some jurisdictions do not allow limitations on how long an implied warranty lasts, so the above limitation may not apply to the purchaser.

What this limited warranty does not cover

This limited warranty does not apply to products that have been repaired (except by Glen Dimplex Americas or its authorized service representatives) or otherwise altered. This limited warranty does further not apply to defects resulting from misuse, abuse, accident, neglect, incorrect installation, improper maintenance or handling, or operation with an incorrect power source.

What you must do to get service under this limited warranty

Defects must be brought to the attention of Technical Service by contacting 1-888-346-7539. Please have proof of purchase, catalogue/model and serial numbers available when calling. Limited warranty service requires a proof of purchase of the product.

What Glen Dimplex Americas will do in the event of a defect

In the event a product or part covered by this limited warranty is proven to be defective in material or workmanship during the 12 month limited warranty period you have the following rights:



Warranty

- Glen Dimplex Americas will in its sole discretion either repair or replace such defective product or part without charge. If Glen Dimplex Americas is unable to repair or replace such product or part, or if repair or replacement is not commercially practicable or cannot be timely made, Glen Dimplex Americas may, in lieu of repair or replacement, choose to refund the purchase price for such product or part.
- Limited warranty service will be performed solely by dealers or service agents of Glen Dimplex Americas authorized to provide limited warranty services.
- The purchaser is responsible for removal and transportation of such product or part (and any repaired or replacement product or part) to and from the authorized dealer's or service agent's place of business.
- This limited warranty does not entitle the purchaser to on-site or in-home services. On-site or in-home services may be performed at the purchaser's specific request and expense at Glen Dimplex Americas then-current rates for such services.
- Glen Dimplex Americas will not be responsible for, and the limited warranty services shall not include, any expense incurred for installation or removal of the product or part (or any replacement product or part) or any labour or transportation costs. Such costs shall be the purchaser's responsibility.

How State and Provincial law apply

This limited warranty gives you specific legal rights, and you may also have other rights which vary from jurisdiction to

jurisdiction. The provisions of the United Nations Convention on Contracts for the Sale of Goods shall not apply to this limited warranty or the sale of products covered by this limited warranty.

What Glen Dimplex Americas and its dealers and service agents are also not responsible for:

IN NO EVENT WILL GLEN DIMPLEX AMERICAS, OR ITS DIRECTORS, OFFICERS, OR AGENTS, BE LIABLE TO THE PURCHASER OR ANY THIRD PARTY, WHETHER IN CONTRACT, IN TORT, OR ON ANY OTHER BASIS, FOR ANY INDIRECT, SPECIAL, PUNITIVE, EXEMPLARY, CONSEQUENTIAL, OR INCIDENTAL LOSS, COST, OR DAMAGE ARISING OUT OF OR IN CONNECTION WITH THE SALE, MAINTENANCE, USE, OR INABILITY TO USE THE PRODUCT, EVEN IF GLEN DIMPLEX AMERICAS OR ITS DIRECTORS, OFFICERS, OR AGENTS HAVE BEEN ADVISED OF THE POSSIBILITY OF SUCH LOSSES, COSTS OR DAMAGES, OR IF SUCH LOSSES, COSTS, OR DAMAGES ARE FORESEEABLE. IN NO EVENT WILL GLEN DIMPLEX AMERICAS, OR ITS OFFICERS, DIRECTORS, OR AGENTS BE LIABLE FOR ANY DIRECT LOSSES, COSTS, OR DAMAGES THAT EXCEED THE PURCHASE PRICE OF THE PRODUCT.

SOME JURISDICTIONS DO NOT ALLOW THE EXCLUSION OR LIMITATION OF INCIDENTAL OR CONSEQUENTIAL DAMAGES, SO THE ABOVE LIMITATION OR EXCLUSION MAY NOT APPLY TO THE PURCHASER.



Technical Support

Technical and troubleshooting support, as well as a list of replacement parts can be found on www.dimplex.com/customer_support

1-888-346-7539 | www.dimplex.com

In keeping with our policy of continuous product improvement, we reserve the right to make changes without notice.

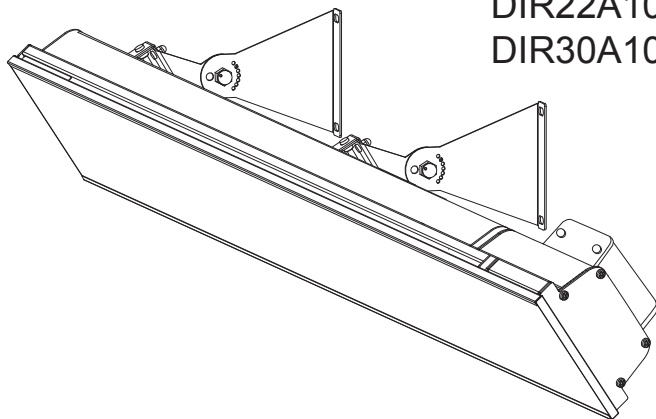
© 2019 Glen Dimplex Americas

Glen Dimplex 
AMERICAS

Enhancing the moments that matter in life

Chaufferette infrarouge intérieure / extérieure de la série DIR

Modèles
DIR15A10GR
DIR18A10GR
DIR22A10GR
DIR30A10GR







CONSIGNES DE SÉCURITÉ IMPORTANTES : Lire le présent manuel avant d'essayer d'installer ou d'utiliser cet appareil. Pour votre sécurité, toujours respecter tous les avertissements et suivre les consignes de sécurité données dans le présent manuel afin de prévenir les blessures ou les dommages matériels.

Pour découvrir la gamme complète des produits Dimplex, visitez le site www.dimplex.com



Table des matières

	Bienvenue	3
	INSTRUCTIONS IMPORTANTES	4
	Installation de l'appareil de chauffage	6
	Choix de l'emplacement	10
	Installation	11
	Installation électrique	15
	Utilisation	16
	Maintenance	19
	Dépannage	20
	Garantie	21
	Service d'assistance technique	23

Le présent manuel traite de l'installation et de l'entretien de l'appareil. Lire attentivement le manuel avant de tenter d'installer, d'utiliser ou d'entretenir l'appareil de chauffage infrarouge.

! NOTE : Marches à suivre et techniques d'importance suffisantes pour être soulignées.

⚠ MISE EN GARDE : Le non-respect de ces procédures et techniques provoquera l'endommagement de l'équipement.

⚠ AVERTISSEMENT : Marches à suivre et techniques qui, si elles ne sont pas bien respectées, exposeront l'utilisateur à des risques d'incendie, de blessure grave ou de décès.

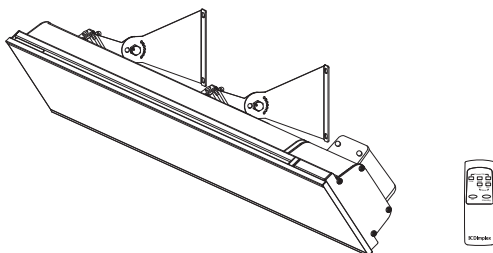
Bienvenue

Merci et félicitations d'avoir acheté un appareil de chauffage infrarouge Dimplex.

Lire ces instructions attentivement et les conserver.

⚠ MISE EN GARDE : Lire attentivement toutes les instructions et tous les avertissements avant de commencer l'installation. Le non-respect de ces instructions pourrait entraîner un risque de décharge électrique ou d'incendie et annuler la garantie.

Prendre en note les numéros de modèle et de série de l'appareil à des fins de consultation ultérieure. Ceux-ci se trouvent sur l'étiquette du numéro de modèle et du numéro de série de l'appareil.



IL N'EST PAS NÉCESSAIRE D' ALLER AU MAGASIN

Des questions à propos de l'utilisation ou du montage?

Besoin d'information sur les pièces ?

Besoin d'information à propos d'un produit sous garantie du fabricant ?

Communiquer avec nous à :  www.dimplex.com/customer_support

Pour le dépannage et le Service d'assistance technique

OU  **Sans frais au 1 888 346-7539**

Afin que nous puissions mieux vous servir, veuillez avoir votre modèle et votre numéro de série à portée de main ou veuillez inscrire votre produit en ligne avant de téléphoner (voir ci-dessus).

INSTRUCTIONS IMPORTANTES

Lorsqu'un appareil électrique est utilisé, il est important de toujours prendre des précautions de base pour réduire les risques d'incendie, de décharges électriques et de blessures. Il faut notamment appliquer ce qui suit :

- ① Lire toutes les instructions avant d'installer ou d'utiliser cet appareil de chauffage.
- ② Se servir de l'appareil uniquement de la façon décrite dans le présent manuel. Toute autre utilisation non recommandée par le fabricant pourrait causer un incendie, des décharges électriques ou des blessures.
- ③ L'appareil de chauffage devient chaud lorsqu'il est en marche. Pour éviter les brûlures, ne pas laisser la peau nue entrer en contact avec les surfaces chaudes. Garder tout matériel combustible, comme des meubles, des oreillers, de la literie, du papier, des vêtements et des rideaux, à au moins 0,9 mètre (3,0 pieds) du devant de l'appareil. De plus, garder tout matériel combustible à l'écart des côtés et de l'arrière de l'appareil, en respectant les restrictions à cet égard.
- ④ Faire preuve d'une grande prudence lorsque l'appareil est utilisé par des enfants ou des personnes handicapées, ou à proximité de ces derniers, et lorsqu'il est en marche et laissé sans surveillance.
- ⑤ Ne pas utiliser un appareil de chauffage après que celui-ci ait présenté une défaillance. Couper le courant au panneau électrique et faire inspecter l'appareil par un électricien qualifié avant de l'utiliser à nouveau.
- ⑥ Ne pas se servir d'un appareil de chauffage si le cordon est endommagé, si l'appareil a présenté une défaillance, ou s'il est tombé ou est endommagé de quelque façon que ce soit. Pour faire vérifier ou réparer l'appareil, ou pour faire effectuer une mise au point mécanique, retourner l'appareil dans un centre de service autorisé.
- ⑦ Pour débrancher l'appareil, couper l'alimentation électrique du circuit de l'appareil à l'interrupteur général principal, de même qu'au tableau de commande principal.
- ⑧ Ne pas introduire ou laisser entrer de corps étrangers dans la prise d'air de ventilation ou la bouche de sortie d'air, car cela peut occasionner des décharges électriques, provoquer un incendie ou endommager l'appareil de chauffage.
- ⑨ Pour éviter un incendie, ne pas obstruer les entrées ou la sortie d'air d'aucune façon.
- ⑩ Tout appareil de chauffage


INSTRUCTIONS IMPORTANTES

contient des pièces qui chauffent et qui produisent un arc électrique ou des étincelles. Ne pas utiliser dans des endroits où de l'essence, de la peinture ou d'autres liquides inflammables sont utilisés ou entreposés.

- ⑪ Ne pas toucher l'appareil pendant son fonctionnement, car il devient chaud et pourrait causer des brûlures. En présence d'enfants et de personnes vulnérables, une attention particulière doit leur être portée.
- ⑫ Cet appareil n'est pas conçu pour être utilisé par des personnes (y compris des enfants) aux capacités physiques, sensorielles ou mentales réduites, ou par des personnes manquant d'expérience ou de connaissances, à moins qu'elles ne soient supervisées lorsqu'elles utilisent l'appareil ou qu'elles aient reçu des instructions d'utilisation par une personne responsable de leur sécurité.

- ⑬ Ne laisser aucun câble, meuble, matériau inflammable ou autre objet entrer en contact avec toute surface de l'appareil.
- ⑭ L'appareil ne doit pas être installé juste au-dessous d'une prise de courant. Il ne doit pas non plus être installé devant une prise de courant. L'appareil devrait être installé à l'extérieur de l'espace physique occupé par les prises pour réduire au minimum l'accumulation de chaleur derrière l'appareil.

⑮ CONSERVER CES INSTRUCTIONS

 **AVERTISSEMENT** : L'appareil de chauffage ne doit pas être utilisé si les panneaux en verre sont endommagés.

! **NOTE** : Les changements ou les modifications n'ayant pas fait l'objet d'une approbation expresse de la partie responsable de la conformité auront pour effet d'annuler le droit d'utilisation de l'appareil par l'utilisateur.



MISE EN GARDE
RISQUE DE CHOC ÉLECTRIQUE
NE PAS OUVRIR
AUCUN ENTRETIEN À FAIRE SUR
LES PIÈCES INTÉRIEURES



CONSERVER CE MANUEL À DES FINS DE CONSULTATION ULTÉRIEURE

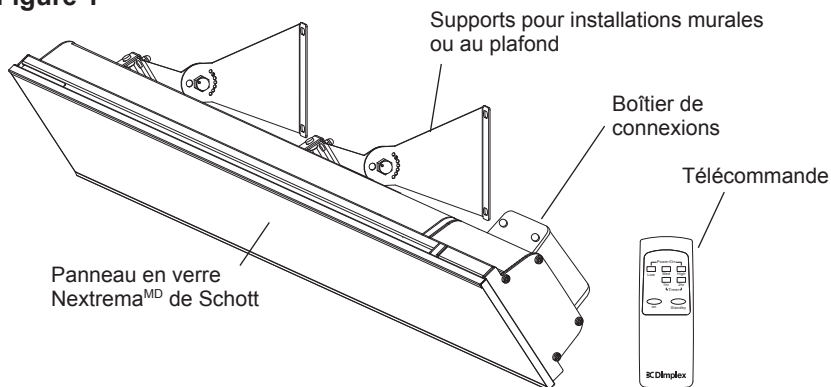
Installation de l'appareil de chauffage

UTILISATION DE L'APPAREIL DE CHAUFFAGE :

Contenu de la boîte de l'appareil de chauffage Dimplex

- Appareil de chauffage infrarouge
- Instructions d'installation et d'utilisation
- Petite boîte contenant 2 ensembles de supports et la quincaillerie de fixation
- Télécommande

Figure 1



Technical Specification

NOM DU MODÈLE	DIR15A10GR	DIR18A10GR	DIR22A10GR	DIR30A10GR
Tension	120V 60 Hz	240V 60 Hz	240V 60 Hz	240V 60 Hz
Puissance nominale (en watts)	1500	1800	2200	3000
Installation	Installation murale Installation au plafond au plafond	Installation murale Installation au plafond au plafond	Installation murale	Installation murale
Hauteur de fixation minimale	2,4 M (8 pi)	2,4 M (8 pi)	2,4 M (8 pi)	2,4 M (8 pi)
Classe de protection électrique	I	I	I	I
Conçu pour l'extérieur	Oui	Oui	Oui	Oui
Dimensions de l'appareil L x l x H (mm/po) (sans support)	902 x 170 x 128 35-1/2 x 6-3/4 x 5	902 x 170 x 128 35-1/2 x 6-3/4 x 5	902 x 170 x 128 35-1/2 x 6-3/4 x 5	1286 x 170 x 128 50-5/8 x 6-3/4 x 5

Installation de l'appareil de chauffage

RISQUE D'INCENDIE/ D'EXPLOSION

Cet appareil ne doit pas être utilisé dans un endroit à atmosphère potentiellement explosive. Ne pas faire fonctionner l'appareil dans des endroits où de l'essence, de la peinture ou des liquides inflammables sont utilisés ou entreposés.

Les dégagements minimaux indiqués sur la plaque signalétique et dans le manuel de l'appareil doivent être respectés au moment de l'installation.

Avant l'installation, lire attentivement le présent manuel et le conserver à des fins de consultation ultérieure.

L'appareil de chauffage doit être installé conformément aux instructions d'installation du fabricant.

1. L'appareil de chauffage est équipé d'un boîtier de connexions électriques et doit être raccordé en tant qu'installation fixe par un professionnel de l'électricité agréé. Les procédures de câblage et les connexions doivent être conformes au code national de l'électricité ainsi qu'aux codes locaux.

2. Aux États-Unis, l'installation électrique doit être effectuée conformément au National Electrical Code.

3. Au Canada, l'installation électrique doit être faite conformément aux

dispositions de la section 62 de la première partie du Code canadien de l'électricité.

4. Les procédures de câblage et les connexions doivent être conformes au code national ainsi qu'aux codes locaux applicables.

⚠ MISE EN GARDE : Couper la source d'alimentation électrique avant de manipuler le câblage du circuit pour prévenir les décharges électriques.

⚠ MISE EN GARDE : Lors de l'installation à l'extérieur, nous recommandons que l'appareil soit placé à un endroit où il sera protégé des conditions météorologiques extrêmes et des intempéries, comme la neige et la glace.

⚠ MISE EN GARDE : Cet appareil doit être mis à la terre.

⚠ MISE EN GARDE : Le raccordement électrique doit avoir une protection contre les fuites à la terre (disjoncteur différentiel de fuite à la terre).

⚠ MISE EN GARDE : Un disjoncteur est nécessaire pour que l'installation soit adéquate; ne pas le charger à plus de 80 % de sa capacité.

⚠ MISE EN GARDE : Une température élevée engendre des risques d'incendie; garder les cordons électriques, les rideaux, l'ameublement et les autres matières combustibles à au moins 0,9 mètre

Installation de l'appareil de chauffage

(3 pieds) du devant de l'appareil, de même qu'à l'écart des côtés et de l'arrière de l'appareil.

5. L'appareil de chauffage est conçu pour une utilisation extérieure ou intérieure et ne doit pas être utilisé à d'autres fins. Toute autre utilisation non recommandée par le fabricant pourrait causer un incendie, des décharges électriques ou des blessures.

6. Avant de commencer l'installation, s'assurer que la tension d'alimentation électrique est identique à celle indiquée sur la plaque signalétique de l'appareil.

7. L'appareil doit être installé à au moins 2,4 mètres (8 pieds) au-dessus du sol. Pour les autres dégagements, se reporter au schéma inclus dans les présentes instructions.

8. Afin de réduire les risques d'incendie, ne pas conserver ou utiliser de l'essence ou d'autres gaz et liquides inflammables à proximité de l'appareil de chauffage.

9. L'appareil n'est pas conçu pour être utilisé dans une salle de bain, une salle de lavage ou dans d'autres pièces intérieures semblables. Ne jamais installer l'appareil à un endroit où il est susceptible de tomber dans une baignoire, dans une piscine, dans un spa ou dans tout autre réservoir d'eau.


10. Ne pas installer l'appareil directement à proximité d'une baignoire, d'une douche ou d'une piscine. Les interrupteurs et les commandes ne doivent pas être à la portée d'une personne qui se trouve dans la baignoire, la douche ou la piscine.

11. S'assurer que l'appareil a bien été fixé dans sa position de fixation finale.

12. L'appareil ne peut être installé qu'en position horizontale.

13. NE PAS installer l'appareil en position verticale, car l'élément chauffant situé dans le tube pourrait se relâcher et s'épuiser prématurément.

14. Il n'y a aucune pièce dont l'entretien peut être effectué par l'utilisateur à l'intérieur de l'appareil. Tout entretien autre que le nettoyage régulier doit être exécuté par un professionnel en entretien et réparation autorisé.

 **AVERTISSEMENT** : L'appareil de chauffage ne doit pas être utilisé si les panneaux en verre sont endommagés.

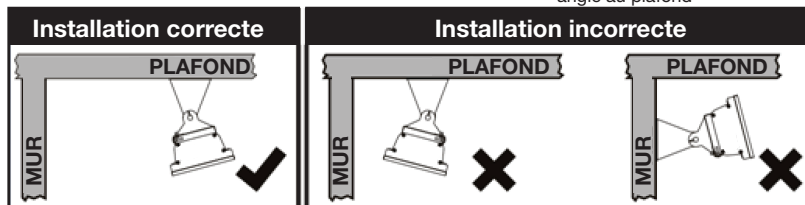
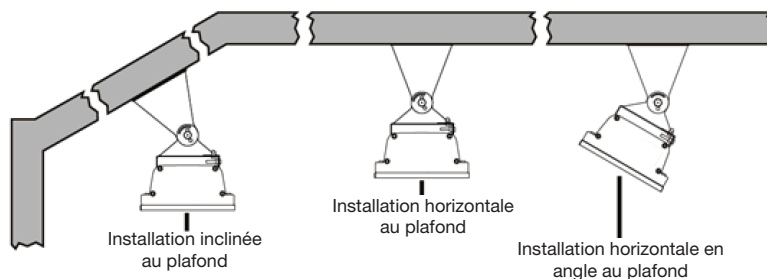
! **NOTE** : Deux supports de fixation à angle réglable en acier inoxydable sont inclus. L'angle réglable permet l'installation de l'appareil sur des surfaces horizontales et inclinées.

🔑 Choix de l'emplacement

CHOIX DE L'EMPLACEMENT :

Installé au plafond (DIR15A10GR, DIR18A10GR).

⚠️ AVERTISSEMENT : Les modèles DIR22A10GR et DIR30A10GR NE PEUVENT PAS être installés au plafond.



⚠️ AVERTISSEMENT : L'appareil ne doit jamais être installé face vers le haut ou vers l'intérieur; la surface chauffante doit toujours être positionnée pour diriger la chaleur vers le bas ou vers l'extérieur.

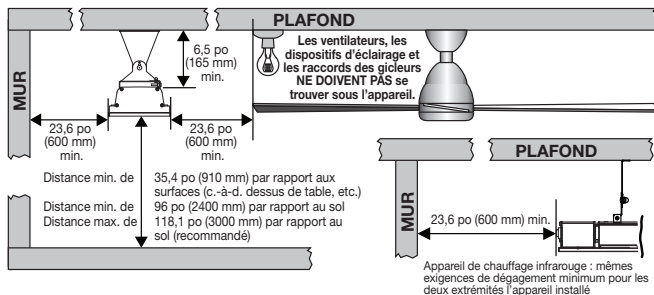
⚠️ AVERTISSEMENT : NE PAS installer l'appareil en position verticale. Si cette instruction n'est pas respectée, l'élément chauffant situé dans le tube pourrait se relâcher et s'épuiser prématurément.

Dégagements

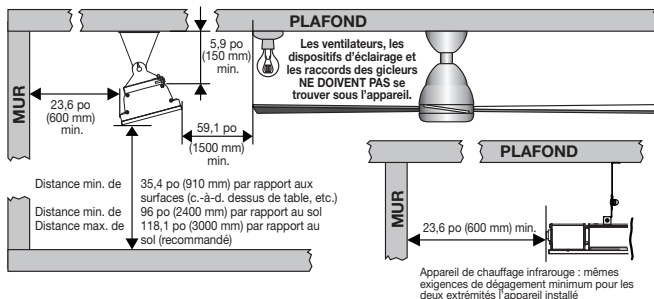
Pour s'assurer que tous les dégagements minimaux sont respectés, se reporter aux schémas à la page 10.

Choix de l'emplacement

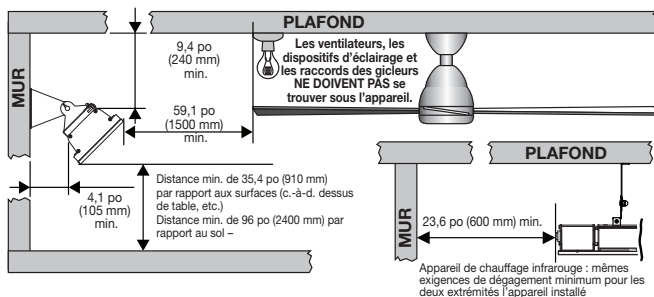
Dégagements minimaux lors de la fixation de radiateur parallèlement au plafond.



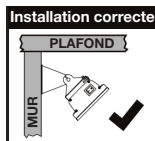
Dégagements minimaux lors de la fixation de l'appareil en angle au plafond.



Dégagements minimaux lors de la fixation de l'appareil SUR UN MUR VERTICAL.



Installation au mur (DIR15A10GR, DIR18A10GR, DIR22A10GR, DIR30A10GR)

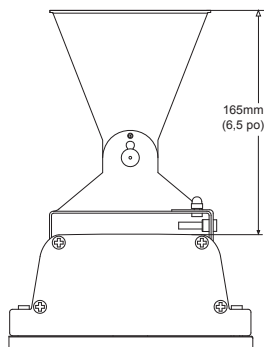
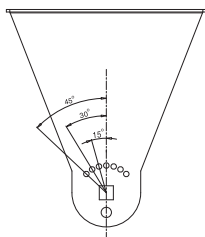
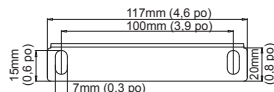




Installation

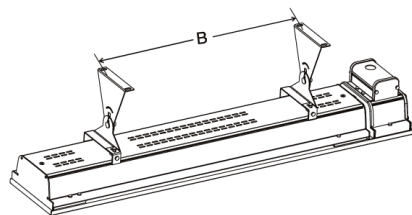
⚠ AVERTISSEMENT : L'installation de l'appareil de chauffage infrarouge et son raccordement au réseau électrique doivent être effectués uniquement par des professionnels qualifiés conformément aux réglementations sur les installations électriques et aux normes de sécurité des systèmes électriques et doivent être conformes à tous les codes électriques nationaux et locaux.

1. Ouvrir l'emballage et retirer soigneusement l'appareil.
2. Retirer la feuille de papier d'emballage au bout de l'appareil.
3. Sortir une paire de supports de fixation. Ces supports réglables permettent la fixation directe au plafond ou au mur, et offrent des options d'angle prédéfinies



des parallèles, soit 30°, 45°, ainsi qu'une hauteur de 165 mm (6,5 po).

4. Utiliser les schémas ci-dessus comme guide pour effectuer une installation adéquate. Choisir l'emplacement de l'appareil au plafond ou au mur en repérant les montants ou les poutres de charpente qui permettront une fixation sûre de l'appareil. S'assurer que tous les dégagements minimums sont respectés.



5. Installer deux supports au plafond ou au mur avec la distance minimale suivante recommandée entre les

N° de modele	« B » DISTANCE MINIMUM
DIR15A10GR	500 mm ±50 mm (19,7 po ± 2,0 po)
DIR18A10GR	500 mm ±50 mm (19,7 po ± 2,0 po)
DIR22A10GR	500 mm ±50 mm (19,7 po ± 2,0 po)
DIR30A10GR	650 mm ±50 mm (25,6 po ± 2,0 po)



Installation

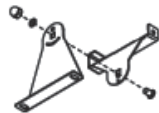
supports (« B »). S'assurer que les supports sont de niveau et ne sont pas inclinés en diagonale.

6. Régler les supports de fixation à l'angle souhaité et les fixer à l'aide d'une clé à molette.

Pour une installation au plafond, les angles de fixation possibles sont de 0° et 30° uniquement.

Pour une installation murale, les angles de fixation possibles sont de 30° et 45° uniquement.

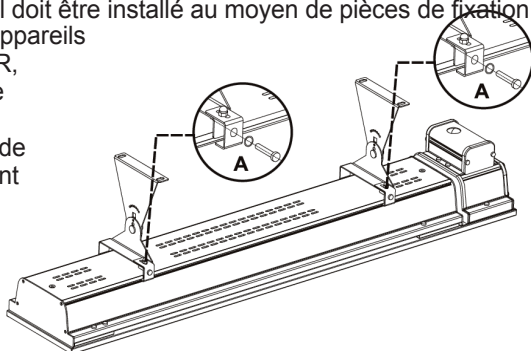
Pour le DIR 2200W et DIR 3000W, l'installation au plafond est interdite.



	0°	15°	30°	45°
PLAFOND				
MUR				

7. Accrocher l'appareil sur les supports et serrer fermement les boulons des supports pour comprimer les deux plaques, comme illustré sur la figure A.

! NOTE : Selon le matériau et la conception des éléments de structure du plafond ou du mur, l'appareil doit être installé au moyen de pièces de fixation appropriées. Le poids des appareils DIR15A10GR, DIR18A10GR, DIR22A10GR peut atteindre 11,7 lb (5,3 kg). Le poids de l'appareil DIR30A10GR est de 6,8 kg (15 lb). L'emplacement choisi pour l'installation doit pouvoir supporter 5 fois le poids de l'appareil.





Installation électrique

⚠ AVERTISSEMENT : Cet appareil DOIT être installé et directement raccordé au réseau électrique de façon permanente par un professionnel de l'électricité autorisé/agréé. Ne pas effectuer d'entretien ou engager une procédure d'installation ou de fixation lorsque l'appareil est sous tension..

⚠ MISE EN GARDE : Un disjoncteur est nécessaire pour que l'installation soit adéquate. Ne pas le charger à plus de 80 % de sa capacité. Le type de disjoncteur doit être de type courbe C.

1. Le modèle DIR15A10GR (1500 W) est conçu pour être raccordé au réseau électrique de 120 V/60 Hz équipé d'un fil de mise à la terre.

2. Les modèles DIR18A10GR (1800 W), DIR22A10GR (2200 W) et DIR30A10GR (3000 W) sont conçus pour être raccordés au réseau électrique de 240 V/60 Hz équipé d'un fil de mise à la terre.

3. L'appareil ne doit pas être installé immédiatement sous un raccordement électrique. La prise de courant ne doit pas être située à l'arrière de l'appareil. La prise de courant doit être située à l'extérieur de l'espace physique occupé par l'appareil afin de réduire au minimum l'accumulation de chaleur derrière l'appareil.

4. Si l'appareil doit être installé sur une surface inclinée (par exemple, un plafond voûté), s'assurer que le point de raccordement électrique se situe sous l'appareil.

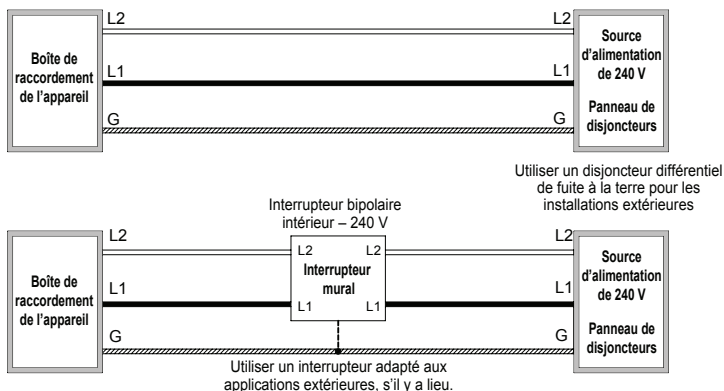


Installation électrique

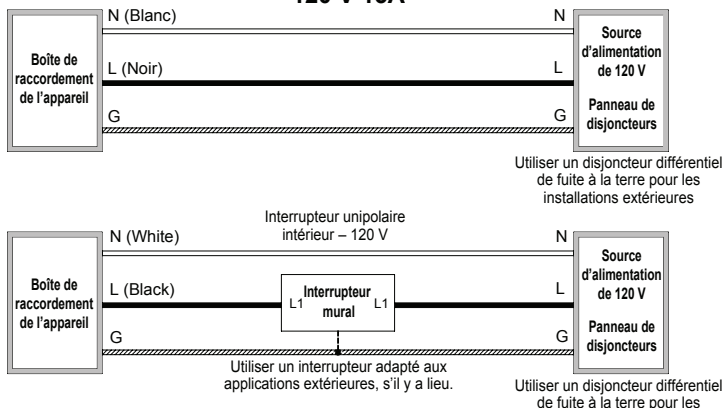
INSTRUCTIONS DE RACCORDEMENT :

Le modèle DIR15A10GR doit être connecté à un circuit de 120 V, tandis que les modèles DIR18A10GR, DIR22A10GR et DIR30A10GR doivent être connectés à un circuit de 240 V. Ces appareils de chauffage doivent être raccordés à ce circuit de manière à ce qu'il soit possible de les éteindre directement au niveau du disjoncteur en cas d'urgence. Des exemples de schémas de câblage ont été inclus ci-dessous à des fins de consultation rapide.

240 V 15A



120 V 15A





Installation électrique

1. Vérifier l'étiquette du produit pour s'assurer d'utiliser la bonne tension et la bonne puissance électrique. S'assurer que la source d'alimentation est conforme aux exigences relatives aux appareils de chauffage.

2. La boîte de raccordement sur le dessus de l'appareil est munie d'un couvercle d'accès latéral avec joint d'étanchéité. L'entrée de la boîte de raccordement est percée et filetée pour recevoir un raccord de conduit standard étanche de 19 mm (1/2 po). L'électricien installateur devra fournir le conduit rigide métallique, flexible ou étanche aux liquides approprié et les bons raccords de conduit pour le lieu d'installation.

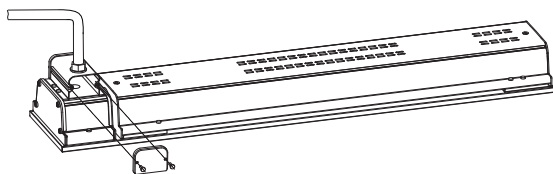
3. Pour l'installation extérieure, tous les raccordements doivent être effectués conformément aux réglementations du code électrique local relatives au câblage extérieur. N'utiliser que des composants de câblage approuvés pour l'utilisation extérieure avec un boîtier NEMA de type 4x ou l'équivalent.

4. Retirer les vis qui tiennent en place le couvercle de la boîte de raccordement. Effectuer les raccordements électriques au moyen de capuchons de connexion (non fournis).

Pour les appareils de 120 V : Le fil vert se connecte au fil de terre de la source d'alimentation. Le fil noir se raccorde au conducteur sous tension de la source d'alimentation. Le fil blanc se raccorde au conducteur neutre de la source d'alimentation.

Pour les appareils de 240 V : Le fil vert se connecte au fil de terre de la source d'alimentation. Le fil noir se raccorde au L1 (sous tension) de la source d'alimentation. Le fil blanc se raccorde au L2 (sous tension) de la source d'alimentation.

5. Assembler le couvercle et le joint de la boîte de raccordement. S'assurer que le joint du couvercle de la boîte de raccordement (fourni avec l'appareil) est installé pour maintenir l'indice de protection contre l'infiltration d'eau de pluie de l'appareil. Une installation incorrecte annulera la garantie du fabricant.



Utilisation

⚠ AVERTISSEMENT : Cet appareil doit être installé correctement avant son utilisation. De légers craquements peuvent être entendus pendant la période de chauffage ou de refroidissement. Il est normal d'entendre ces craquements pendant le fonctionnement de l'appareil.

RISQUE D'INCENDIE/D'EXPLOSION

- Cet appareil ne doit pas être utilisé dans un endroit à atmosphère ou à environnement potentiellement explosifs. Ne pas faire fonctionner l'appareil dans des endroits où de l'essence, de la peinture ou des liquides inflammables sont utilisés ou entreposés.
- Garder les cordons électriques, les rideaux, les meubles, les matériaux isolants et les autres matières combustibles à au moins 0,9 mètre (3 pieds) du devant de l'appareil, de même qu'à l'écart du dessus, de l'arrière et des côtés de l'appareil.
- Pour éviter un incendie, ne pas obstruer les entrées d'air ni laisser des corps étrangers y pénétrer.

RISQUE DE DÉCHARGES ÉLECTRIQUES

- Ne pas utiliser l'appareil après que celui-ci ait présenté une défaillance. Interrompre le courant au tableau de commande et faire inspecter l'appareil par un électricien qualifié avant de le réutiliser.
- Se servir de l'appareil uniquement de la façon décrite dans le présent manuel. Toute autre utilisation n'est pas recommandée par le fabricant et peut causer un incendie, des décharges électriques ou des blessures.
- Ne pas introduire ou laisser entrer de corps étrangers dans la prise d'air de ventilation ou la bouche de sortie d'air, car cela peut occasionner des décharges électriques, provoquer un incendie ou endommager l'appareil de chauffage.

RISQUE DE BLESSURES/BRÛLURES

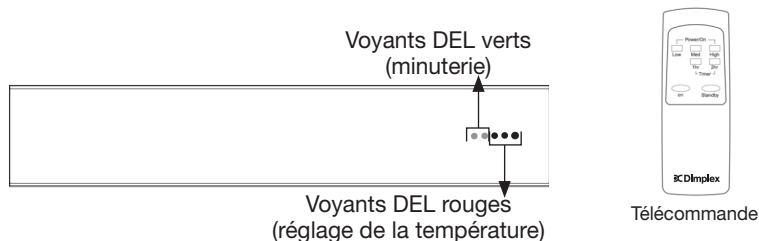
- L'appareil de chauffage et la sortie d'air seront chaudes lors de l'utilisation. Pour éviter les brûlures, ne pas toucher l'appareil ou sa surface en verre sans utiliser de protection.
- Ne pas tenter de réparer ni de nettoyer l'appareil pendant qu'il fonctionne, car il y a un risque de décharges électriques et de brûlures causées par les surfaces chaudes. Pour éviter tout risque de brûlure ou de blessure, laisser l'appareil refroidir pendant au moins 6 heures avant d'essayer de le nettoyer ou d'en faire l'entretien.

! **NOTE** : Après la première mise en marche de l'appareil après une longue période d'inutilisation, il est possible qu'il produise une légère odeur pendant une courte période. Ceci est normal et n'aura pas d'incidence sur l'utilisation de l'appareil.

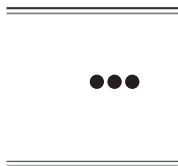
Utilisation

! **NOTE** : Pour éviter les odeurs de brûlé désagréables, il est recommandé de garder l'appareil propre afin de prévenir l'accumulation de poussière.

! **NOTE** : La distance entre l'appareil et la télécommande doit être inférieure à 3 m (9,8 pi) et la télécommande doit être dirigée directement vers le récepteur situé sur le panneau avant pendant le fonctionnement.



1. Mettre le disjoncteur en position de marche; l'appareil se mettra en mode Veille. À ce moment, le voyant DEL indiquant le réglage de température le plus bas clignote pour indiquer que l'appareil est en veille.



2. Pointer la télécommande directement vers le récepteur, puis appuyer sur « **LOW** » (faible), « **MED** » (moyen) ou « **HIGH** » (élevé) pour régler la température souhaitée.

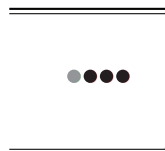


! **MISE EN GARDE** : Une fonction de sécurité intégrée déclenche automatiquement le mode Veille après huit heures de fonctionnement continu de l'appareil. À ce moment, le voyant DEL indiquant le réglage de température le plus bas clignote pour indiquer que la fonction de sécurité s'est activée.

3. Pour mettre l'appareil en mode Veille, pointer la télécommande directement vers le récepteur et appuyer sur « **standby** » (veille). À ce moment, le voyant DEL indiquant le réglage de température le plus bas clignote pour indiquer que l'appareil est en mode Veille.

FONCTION DE MINUTERIE

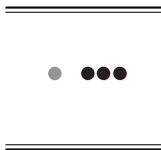
L'appareil de chauffage infrarouge Dimplex comporte une minuterie programmable qui met automatiquement l'appareil en mode Veille après 1, 2 ou 3 heures de fonctionnement. Pour faire fonctionner la minuterie, diriger la télécommande directement vers le récepteur et appuyer sur « 1 hr ». Un seul voyant DEL vert s'allumera juste à côté des voyants DEL de chauffage, et l'appareil passera automatiquement en mode Veille après 1 heure de fonctionnement. Un seul voyant DEL rouge clignotera pour indiquer que l'appareil est en mode Veille.



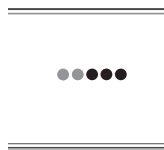
Minuterie 1 heure

1. Pour régler la minuterie afin que l'appareil fonctionne pendant 2 heures, diriger la télécommande directement vers le récepteur et appuyer sur « 2 hr ». Un seul voyant DEL vert s'allumera, avec un espace entre les voyants DEL de chauffage et de minuterie de l'appareil, et l'appareil passera automatiquement en mode Veille après 2 heures de fonctionnement.

2. Pour régler la minuterie afin que l'appareil fonctionne pendant 3 heures, diriger la télécommande directement vers le récepteur et appuyer sur « 1 hr » et « 2 hr ». Les deux voyants DEL verts s'allumeront, et l'appareil passera automatiquement en mode Veille après 3 heures de fonctionnement.



Minuterie 2 heures



Minuterie 3 heures

RISQUE DE DÉCHARGES ÉLECTRIQUES

- Cet appareil fonctionne à une tension pouvant causer la mort. S'assurer de couper l'alimentation électrique au niveau du disjoncteur avant de tenter de faire un quelconque entretien.

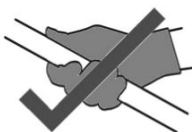
RISQUE DE BLESSURES/BRÛLURES

- Ne pas tenter de réparer ni de nettoyer l'appareil pendant qu'il fonctionne, car il y a un risque de décharges électriques et de blessures causées par les éléments chauffants chauds.
- L'entretien et les réparations doivent être exécutés par du personnel qualifié seulement.

⚠ AVERTISSEMENT : Lors du remplacement de l'ampoule rubis ou lors du nettoyage de l'appareil, s'assurer que le circuit est déconnecté de l'alimentation principale si l'appareil est directement raccordé au réseau électrique de façon permanente.

! NOTE : TOUJOURS S'ASSURER QUE L'AMPOULE AIT REFROIDI AVANT DE LA MANIPULER.

1. Ne pas manipuler l'ampoule halogène à mains nues. Si elle est touchée par inadvertance, retirer les marques de doigts avec un chiffon doux et de l'alcool méthylé ou de l'alcool à friction. Sinon, les marques brûleront dans l'émetteur à quartz pendant l'utilisation, ce qui entraînera une défaillance prématurée de l'appareil de chauffage.



⚠ AVERTISSEMENT : Tout entretien ne doit être effectué que par un électricien ou un professionnel en installation qualifié.

2. Il est nécessaire de vérifier périodiquement (une fois par an) les contacts des câbles électriques et les bornes d'extrémité pour s'assurer que le serrage est bon.

3. Avant de nettoyer l'appareil, le panneau de disjoncteurs doit être mis hors tension et l'appareil de chauffage doit être froid au toucher pour éviter les blessures.

4. Si le boîtier de l'appareil devient sale, essuyer la poussière avec un chiffon. Les panneaux chauffants doivent être essuyés à froid avec un chiffon doux et humide. Il est recommandé de nettoyer l'appareil tous les 3 mois pour obtenir un rendement optimal.

⚠ AVERTISSEMENT : Ne jamais immerger l'appareil dans l'eau! Cela pourrait causer des dommages, des blessures ou la mort.



Dépannage

Actions de dépannage à effectuer avant d'appeler un technicien en entretien et en réparation :

SYMPTÔME	ACTION RECOMMANDÉE
L'appareil ne chauffe pas. / Il n'y a aucun voyant de fonctionnement DEL.	S'assurer que l'appareil est bien branché au réseau électrique et qu'il est bien sous tension.
L'appareil émet une odeur lors de la première utilisation.	Ce phénomène est causé par l'huile ou la poussière laissée pendant le processus de fabrication et s'arrêtera après une courte période.
L'appareil émet une faible odeur pendant de courtes périodes après la mise en marche de l'appareil.	Ce phénomène est normal et devrait cesser après une courte période.
L'appareil émet une odeur lorsqu'on le met en marche après une certaine période d'inutilisation.	Ce phénomène est causé par des débris et de la poussière accumulés dans l'appareil. Éteindre l'appareil et le laisser refroidir, puis le nettoyer avant de le réutiliser.
On entend des bruits de cliquetis lors de la mise en marche et de la fermeture de l'appareil.	Il s'agit de bruits d'expansion et de contraction des composants métalliques de l'appareil et constitue un phénomène normal lié à l'appareil.
Le chauffage ne fonctionne pas bien.	L'exposition à des conditions ambiantes extrêmes comme des vents forts ou des températures excessivement froides peut réduire le rendement de chauffage en cas d'installation extérieure.
	L'appareil n'est pas installé dans la bonne position (peut-être trop haut), ou est trop petit par rapport à l'aire recommandée.

Quand communiquer avec un technicien en entretien et en réparation ou avec le détaillant :

SYMPTÔME	ACTION RECOMMANDÉE
Il y a une odeur de brûlé ou des sons étranges (autres que les bruits d'expansion et de contraction normaux) provenant de l'appareil.	Éteindre l'appareil et communiquer avec le détaillant.
Le disjoncteur associé (de sécurité, de mise à la terre) se déclenche ou un fusible est grillé.	Éteindre l'appareil et communiquer avec le détaillant ou un technicien en électricité agréé.
Le chauffage ne fonctionne pas bien.	Installation de taille incorrecte; communiquer avec le détaillant pour obtenir de plus amples renseignements.
Le chauffage ne fonctionne pas bien.	Élément chauffant défectueux; éteindre l'appareil et communiquer avec le détaillant.
L'appareil ne chauffe pas. / Il n'y a aucun voyant de fonctionnement.	S'assurer que l'appareil est bien branché au réseau électrique et qu'il est bien sous tension. S'il est toujours défectueux, éteindre l'appareil et communiquer avec le détaillant ou un technicien en électricité agréé.

Garantie limitée d'un an

Produits couverts par la présente garantie limitée

La présente garantie limitée couvre votre nouvel appareil de chauffage infrarouge intérieur/extérieur de Dimplex. La présente garantie limitée ne s'applique qu'aux achats effectués dans l'une des provinces du Canada, à l'exception du Yukon, du Nunavut et des Territoires du Nord-Ouest, ou dans l'un des 50 États américains (incluant le district fédéral de Columbia), à l'exception d'Hawaï et de l'Alaska. La présente garantie limitée est valable seulement pour l'acheteur original du produit et ne peut être transférée.

Produits non couverts par la présente garantie limitée

Les ampoules électriques ne sont pas couvertes par cette garantie limitée et sont la responsabilité exclusive du propriétaire/acheteur. Les produits achetés au Yukon, au Nunavut, dans les Territoires du Nord-Ouest, à Hawaï ou en Alaska ne sont pas couverts par la présente garantie limitée. Les produits achetés dans ces États, provinces ou territoires sont vendus TELS QUELS sans aucune garantie ni condition (y compris, notamment, toute garantie ou condition implicite de qualité marchande ou de convenance à un usage particulier), et l'acheteur doit assumer tous les risques relatifs à la qualité et au rendement des produits. En cas de défectuosité, tous les frais d'entretien et de réparation incombent à l'acheteur.

Couverture et durée de la présente garantie limitée

Les produits couverts par la présente garantie limitée ont été testés et inspectés avant l'envoi. Conformément aux dispositions de la présente garantie, Glen Dimplex Americas Ltd. (appelée « Glen Dimplex Americas » aux présentes) garantit que ces produits sont exempts de tout vice de matériau et de fabrication pour une période de 12 mois à partir de la date

d'achat desdits produits.

La garantie limitée de 12 mois s'applique également à toute garantie implicite pouvant exister en vertu des lois en vigueur. Certains territoires ne permettent pas la restriction de la durée d'une garantie implicite; il est donc possible que la restriction ci-dessus ne s'applique pas à l'acheteur

Exclusions de la présente garantie limitée

La présente garantie limitée ne couvre pas les produits qui ont été réparés (sauf par Glen Dimplex Americas ou ses représentants de service autorisés) ou autrement modifiés. Elle ne couvre pas non plus les défectuosités résultant d'un mauvais usage, d'un usage abusif, d'un accident, de négligence, d'une mauvaise installation, d'une manipulation ou d'un entretien inadéquat, ou de l'utilisation avec une source de courant inadéquate.

Ce qu'il faut faire pour se prévaloir du service dans le cadre de la présente garantie limitée

Les défectuosités doivent être signalées au service technique au

1 888 346-7539. Au moment d'appeler, avoir à portée de la main une preuve d'achat, ainsi que les numéros de catalogue/modèle et de série du produit. Il est nécessaire d'avoir une preuve d'achat

du produit pour se prévaloir du service dans le cadre de la garantie limitée.

Ce que fera Glen Dimplex Americas en cas de défectuosité

S'il s'avère qu'une pièce ou un produit couvert par cette garantie limitée présente effectivement un vice de matériau ou de fabrication pendant la garantie limitée de 12 mois, vous aurez alors les droits suivants :

- Glen Dimplex Americas pourra, à sa seule discrétion, réparer ou remplacer sans frais la pièce ou le produit défectueux. Si Glen Dimplex



Garantie

Americas est incapable de réparer ou de remplacer la pièce ou le produit, ou si la réparation ou le remplacement n'est pas commercialement possible, ou ne peut être fait rapidement, Glen Dimplex Americas pourra, au lieu d'effectuer la réparation ou le remplacement, décider de rembourser le prix d'achat de la pièce ou du produit.

- Le service sous garantie limitée sera dispensé uniquement par des dépositaires ou agents de service de Glen Dimplex Americas autorisés à dispenser des services sous garantie limitée.
- L'acheteur sera responsable de tous les frais engagés pour le retrait du produit ou de la pièce et le transport aller-retour de ceux-ci (et de tout produit ou de toute pièce réparé/de rechange) à l'établissement du dépositaire ou de l'agent de service autorisé.
- Cette garantie limitée ne donne pas droit à des services sous garantie sur place ou à domicile à l'acheteur. Des services sur place ou à domicile sont offerts à la demande expresse et aux frais de l'acheteur, au tarif en vigueur que facture Glen Dimplex Americas pour ces services.
- Glen Dimplex Americas n'est pas responsable des frais encourus pour l'installation ou le retrait du produit ou de la pièce (ou de tout produit ou de toute pièce de rechange) ni des frais de main-d'œuvre et de transport, et la présente garantie limitée ne les couvre pas non plus. Ces frais sont la responsabilité de l'acheteur.

Application des lois provinciales et d'État

Cette garantie limitée confère à l'acheteur des droits juridiques précis, et il se peut que l'acheteur ait d'autres droits qui varient d'un territoire à un autre. Les dispositions de la Convention des Nations Unies sur les contrats de vente de marchandises ne

s'appliquent pas à cette garantie limitée ou à la vente de produits couverts par cette garantie limitée.

Autres exclusions à la responsabilité de Glen Dimplex Americas et de ses dépositaires et agents de service :

GLEN DIMPLEX AMERICAS, SES ADMINISTRATEURS, SES GESTIONNAIRES OU SES AGENTS NE POURRONT EN AUCUN CAS ÊTRE TENUS RESPONSABLES ENVERS L'ACHETEUR OU TOUTE AUTRE TIERCE PARTIE, EN VERTU D'UN CONTRAT, DU DROIT DE LA RESPONSABILITÉ DÉLICTEUELLE OU SUR TOUTE AUTRE BASE, DE COÛTS, DE PERTES OU DE DOMMAGES INDIRECTS, SPÉCIAUX, PUNITIFS, EXEMPLAIRES OU ACCESSOIRES DÉCOULANT DIRECTEMENT OU INDIRECTEMENT DE LA VENTE, DE L'ENTRETIEN, DE L'UTILISATION OU DE L'INCAPACITÉ D'UTILISATION DU PRODUIT, MÊME SI GLEN DIMPLEX AMERICAS, SES ADMINISTRATEURS, SES GESTIONNAIRES OU SES AGENTS ONT ÉTÉ INFORMÉS DE LA POSSIBILITÉ DE TELS COÛTS, PERTES OU DOMMAGES, OU SI LESDITS COÛTS, PERTES OU DOMMAGES SONT PRÉVISIBLES. GLEN DIMPLEX AMERICAS, SES GESTIONNAIRES, SES ADMINISTRATEURS OU SES AGENTS NE POURRONT EN AUCUN CAS ÊTRE TENUS RESPONSABLES DE COÛTS, DE PERTES OU DE DOMMAGES DIRECTS QUI DÉPASSENT LE PRIX D'ACHAT DU PRODUIT.

CERTAINS TERRITOIRES NE PERMETTENT PAS L'APPLICATION D'EXCLUSIONS OU DE LIMITATIONS AUX DOMMAGES INDIRECTS OU ACCESSOIRES. IL SE POURRAIT DONC QUE LES EXCLUSIONS ET LIMITATIONS CI-DESSUS NE S'APPLIQUENT PAS À L'ACHETEUR.



Service d'assistance technique

Vous trouverez du soutien technique et des instructions de dépannage, ainsi qu'une liste de pièces de rechange à www.dimplex.com/customer_support

1-888-346-7539 | www.dimplex.com

Dans le cadre de notre politique d'amélioration continue de nos produits, nous nous réservons le droit de modifier les spécifications sans préavis.

© 2019 Glen Dimplex Americas

Glen Dimplex 
AMERICAS

Améliorer les moments qui comptent le plus dans la vie